

VISUAL PERFORMANCE® SERIES

VP46R SST/SUR, VP62R SST/SUR,
VP66R SST/SUR, VP86R SST/SUR



Product Family Overview

From the company that invented the category, comes the **BEST SOUNDING**, best looking and most complete range of in-wall and in-ceiling speakers ever. Visual Performance® Series

comes in various shapes and sizes to compliment down lights and décor and a complete range that allows you to enjoy a consistent aesthetic for any application in any room.



Features and Benefits

SST = Single Stereo Technology, mono summing
SUR = Surround

Sold as each. When purchasing for a Surround System; remember to purchase (2) SUR.

SST/SUR is a combination of SST and SUR in one speaker

- Uses a switch on the crossover cover to select between SST or SUR

Absolute best sonic performance at all price points

- Designed using state-of-the-art computer modeling software to vastly improve magnetic field and suspension linearity for consistent sonic performance at any SPL for best-in-class performance

Latest high-tech driver and tweeter material technology

- Improved low frequency performance
- Improved driver cone materials
- Low diffraction driver design
- Pivoting woofers on VP62R, VP66R and VP86R
- Chambered midrange and tweeter design on all models

The chambered tweeter design does the following

- Lowers the resonance frequency of the tweeter
- Allows for a lower crossover frequency to the woofer
- Reduces the back pressure on the tweeter dome
- Reduces the distortion of the tweeter near the crossover frequency

Easier to install

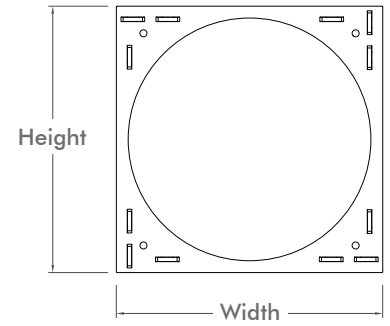
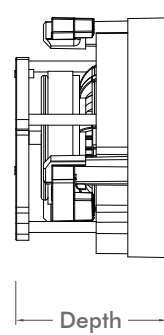
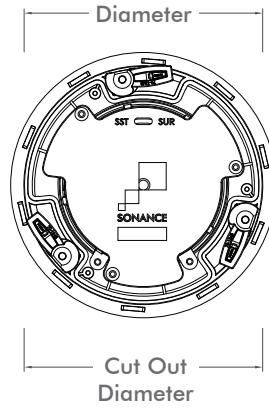
- Easier to access Roto-Lock® screws
- Removed metal hang tabs
- One-piece paintable grille with peel and stick scrim cloth for easier painting
- Two piece toggle feet allows installation with double dry wall and thicker ceiling and wall materials

VP46R SST/SUR Specifications

Diameter: 6 7/8" (175mm)
 Depth: 3 3/4" (95mm)
 Cut Out Diameter: 5 7/8" (149mm)

With Square Adapter and Grille

Width: 7" (178mm)
 Height: 7" (178mm)

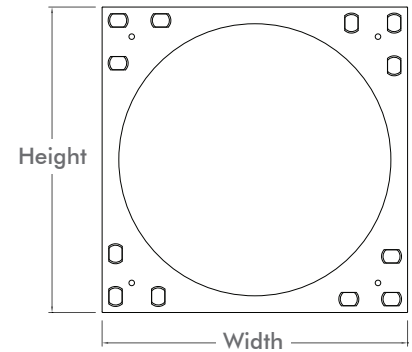
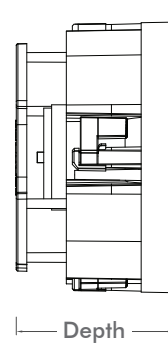
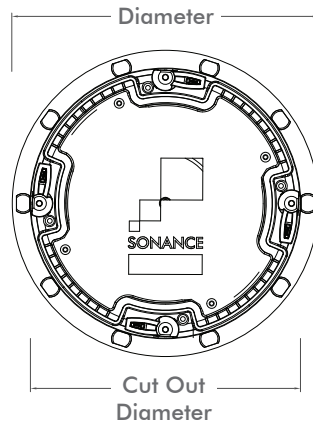


VP62R SST/SUR Specifications

Diameter: 9 3/4" (248mm)
 Depth: 4 3/4" (121mm)
 Cut Out Diameter: 8 1/4" (210mm)

With Square Adapter and Grille

Width: 9 7/8" (251mm)
 Height: 9 7/8" (251mm)

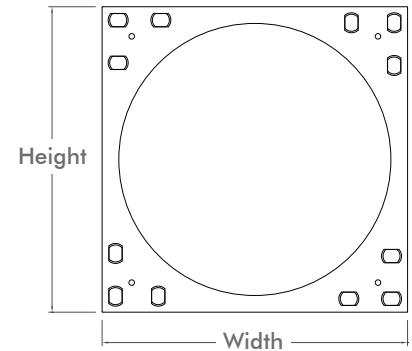
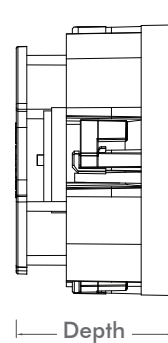
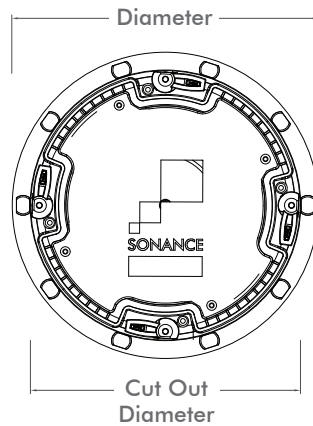


VP66R SST/SUR Specifications

Diameter: 9 3/4" (248mm)
 Depth: 4 3/4" (121mm)
 Cut Out Diameter: 8 1/4" (210mm)

With Square Adapter and Grille

Width: 9 7/8" (251mm)
 Height: 9 7/8" (251mm)

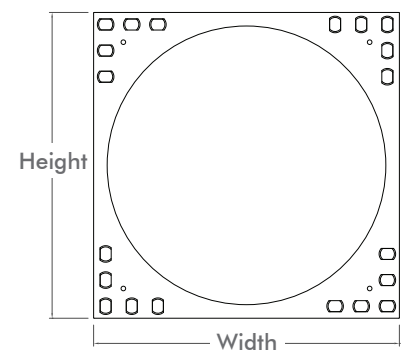
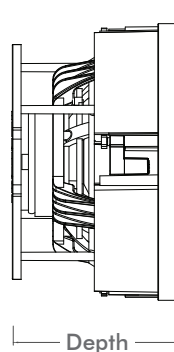
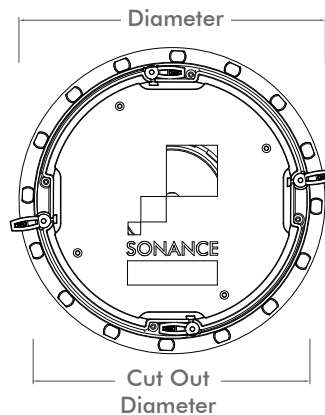


VP86R SST/SUR Specifications

Diameter: 11 5/8" (295mm)
 Depth: 5 7/8" (149mm)
 Cut Out Diameter: 10 1/8" (257mm)

With Square Adapter and Grille

Width: 11 3/4" (299mm)
 Height: 11 3/4" (299mm)



SPECIFICATIONS



VP46R SST/SUR +VP4SQ



VP62R SST/SUR +VP6SQ



VP66R SST/SUR +VP6SQ



VP86R SST/SUR +VP8SQ

SKU	93023	93024	93025	93026
UOM	Each	Each	Each	Each
Tweeter	Two 1" (25mm) powder coated aluminum dome, Ferrofluid-cooled, in acoustic back chamber	Two 1" (25mm) cloth dome, Ferrofluid-cooled, in acoustic back chamber	Two 1" (25mm) powder coated aluminum domes, Ferrofluid-cooled, in acoustic back chamber	Two 1" (25mm) powder coated aluminum domes, Ferrofluid-cooled, in acoustic back chamber
Mid Range	-	-	-	Two 3" (76mm) Kevlar / Nomex laminated cone with a rubber surround
Woofers	4 1/2" (114mm) Kevlar / Nomex laminated cone with a rubber surround, dual voice coil	6 1/2" (165mm) textured polypropylene cone with a rubber surround, pivoting, dual voice coil	6 1/2" (165mm) Kevlar / Nomex laminated cone with a rubber surround, pivoting, dual voice coil	8" (203mm) Kevlar / Nomex laminated cone with a rubber surround, dual voice coil, pivoting
Frequency Response	58Hz - 20kHz ±3dB	45Hz - 20kHz ±3dB	43Hz - 20kHz ±3dB	34Hz - 20kHz ±3dB
Impedance	8 ohms nominal; 6 ohms minimum	8 ohms nominal; 6 ohms minimum	8 ohms nominal; 6 ohms minimum	8 ohms nominal; 6 ohms minimum
Power Handling	5 watts minimum; 80 watts maximum	5 watts minimum; 125 watts maximum	5 watts minimum; 140 watts maximum	5 watts minimum; 150 watts maximum
Sensitivity	90dB SPL (2.83V/1 meter)	89dB SPL (2.83V/1 meter)	90dB SPL (2.83V/1 meter)	91dB SPL (2.83V/1 meter)
Adjustments	Rear SST to SUR switch on crossover cover	Rear SST to SUR switch on crossover cover	Rear SST to SUR switch on crossover cover	Rear SST to SUR switch on crossover cover
Grille	Perforated steel	Perforated steel	Perforated steel	Perforated steel
Dimensions (Dia. x D)	6 7/8" x 3 3/4" (175mm x 95mm)	9 3/4" x 4 3/4" (248mm x 121mm)	9 3/4" x 4 3/4" (248mm x 121mm)	11 5/8" x 5 7/8" (295mm x 149mm)
Dimensions with Square Grille (W x H)	7" x 7" (178mm)	9 7/8" x 9 7/8" (251mm x 251mm)	9 7/8" x 9 7/8" (251mm x 251mm)	11 3/4" x 11 3/4" (299mm x 299mm)
Cut-Out Dimensions (Dia.)	5 7/8" (149mm)	8 1/4" (210mm)	8 1/4" (210mm)	10 1/8" (257mm)
Shipping Weight	3 lbs (1.4kg) each	5 lbs (2.3kg) each	5 lbs (2.3kg) each	10 lbs (4.5kg) each

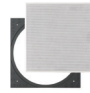
Associated Products VP4 Round Model

VP4 SQ Square Adapter w/ grille (Pair Per Box)	93029		Small Round Flex Bracket (5 Pair Per Box)	92471	
VP4 SQ Square Adapter w/ grille (5 Pair Per Box)	93032		Fire-Rated Listed Deep Backcan (Each)	92808	
Small Round Retrofit Enclosure (Pair Per Box)	92443				

Associated Products VP6 Round Models

VP6SQ Square Adapter w/ grille (Pair Per Box)	93030		Medium Round Flex Bracket (5 Pair Per Box)	92337	
VP6SQ Square Adapter w/ grille (5 Pair Per Box)	93033		Fire-Rated Listed Deep Backcan (Each)	92808	
Medium Round Retrofit Enclosure (Pair Per Box)	92343		Medium Round Coverplate (Pair Per Box)	92335	
Medium Round Acoustic Enclosure (Each)	91688				

Associated Products VP8 Round Model

VP8SQ Square Adapter w/ grille (Pair Per Box)	93031		Large Round Acoustic Enclosure (Each)	91900	
VP8SQ Square Adapter w/ grille (5 Pair Bulk Pack)	93034		Large Round Coverplate (Each)	92245	
Large Round Retrofit Enclosure (Pair Per Box)	92243		Large Round Flex Bracket (5 Pair Per Box)	92247	
Large Round Acoustic Enclosure (Each)	91900		Fire-Rated Listed Deep Backcan (Each)	92808	

LIMITED LIFETIME WARRANTY

Sonance warrants to the first end-user purchaser that this Sonance-brand product ("Product"), when purchased from an authorized Sonance Dealer/Distributor, will be free from defective workmanship and materials for the life of the Product, except for the grille, which is warranted for five (5) years. Sonance will at its option and expense either repair the defect or replace the Product with a new or remanufactured Product or a reasonable equivalent. **Please visit our website and owner's e-Manual for complete warranty and exclusion information.**



SONANCE®

©2013 Sonance. All rights reserved.

Sonance, Visual Performance and Roto-Lock, are registered trademarks of Dana Innovations.

Due to continuous product improvement, all features and specifications are subject to change without notice. For the latest Sonance product specification information visit our website: www.sonance.com

SONANCE • 212 Avenida Fabricante • San Clemente, CA 92672-7531 USA

(800) 582-7777 or (949) 492-7777 • FAX: (949) 361-5151 • Technical Support: (800) 582-0772

www.sonance.com